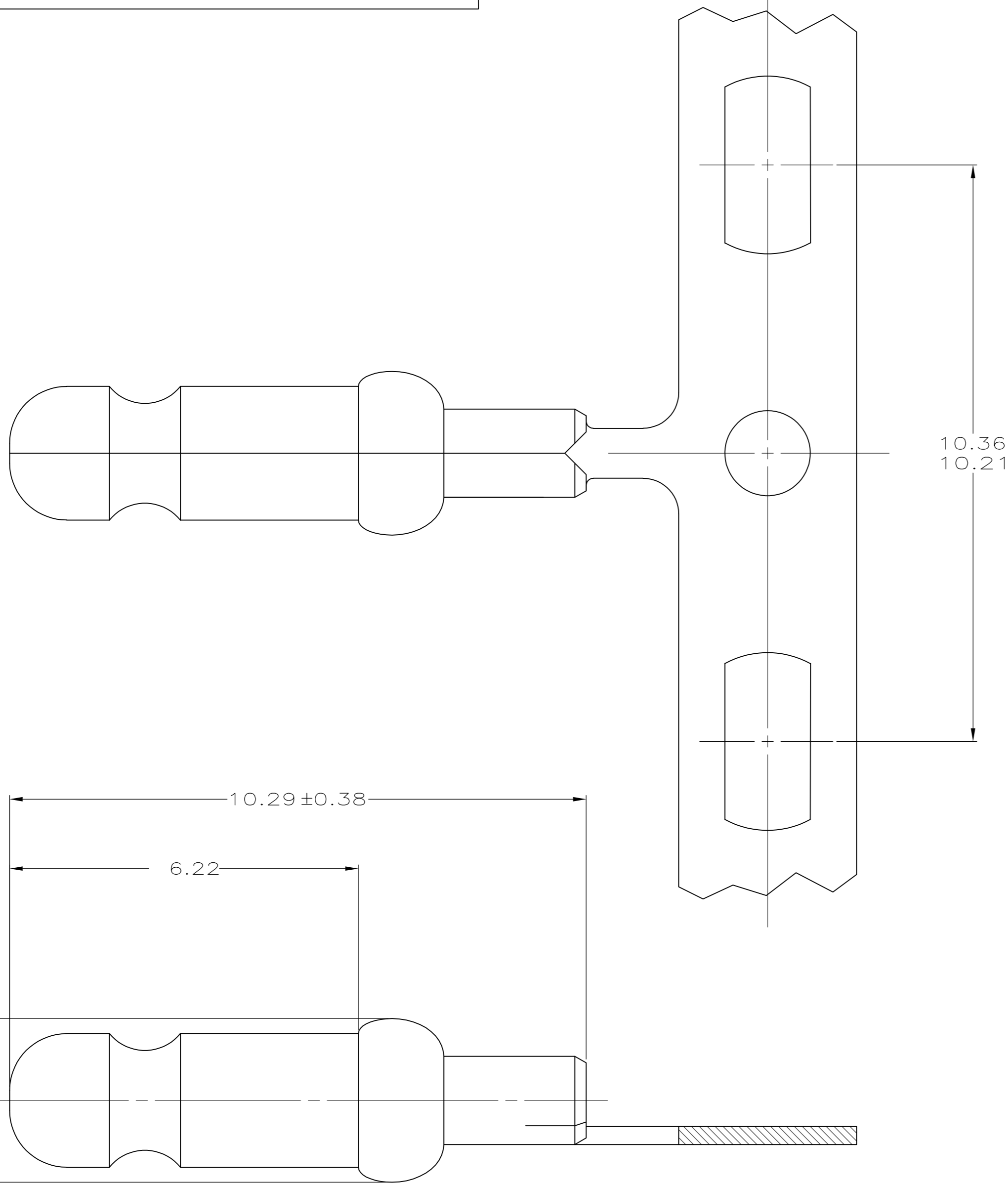
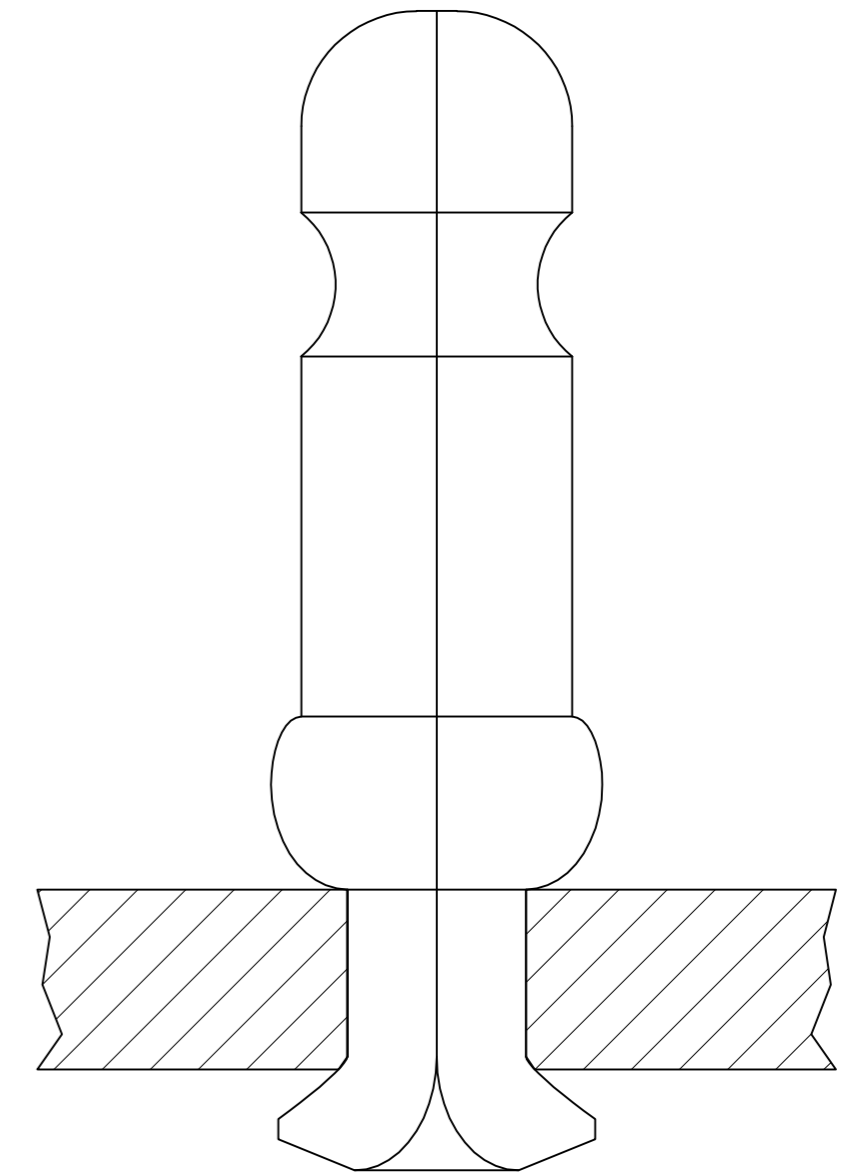


THIS DRAWING IS UNPUBLISHED. RELEASED FOR PUBLICATION
 © COPYRIGHT - By - ALL RIGHTS RESERVED.

LOC	DIST	REVISIONS			
P	LTR	DESCRIPTION	DATE	DWN	APVD
CM	52	M1	REVISED PER ECO-11-004820	11MAR11	RK HMR



1. FITS 1.70 - 1.85 DIAMETER HOLE IN A 1.57 PRINTED CIRCUIT BOARD.
2. PARTS TO COMPLY WITH AMP SOLDERABILITY SPECIFICATION 109-11-1.



61137-1
PART NUMBER

MM	IN	MM	IN	MM	IN	MM	IN
1.57	.062	2.36	.093	6.22	.245	-	-
0.38	.015	2.34	.092	3.18	.125	10.36	.408
0.32	.013	1.85	.073	2.92	.115	10.29	.405
0.13	.005	1.70	.067	2.44	.096	10.21	.402

CONVERSION TABLE

METRIC

THIS DRAWING IS A CONTROLLED DOCUMENT.		DWN	T. BECK	8-27-97	 TE Connectivity	
DIMENSIONS: mm		CHK	R. SWING	8-27-97		
TOLERANCES UNLESS OTHERWISE SPECIFIED:		APVD	A. BEDDICK	9-10-97		
0 PLC ± - 1 PLC ± - 2 PLC ± 0.13 3 PLC ± - 4 PLC ± - ANGLES ± -		PRODUCT SPEC	108-1025			
MATERIAL: 0.32 PH BRZ		FINISH	PRE TIN		APPLICATION SPEC	114-1008
		WEIGHT	-		SIZE	A2
		CUSTOMER DRAWING			CAGE CODE	00779
		SCALE	15:1		DRAWING NO	C-61137
		SHEET	1 of 1		RESTRICTED TO	-
		REV	M1			